

# GOIZPER

YOUR PARTNER  
IN POWER TRANSMISSION

## Compact drives

(CPD = complete press drive)

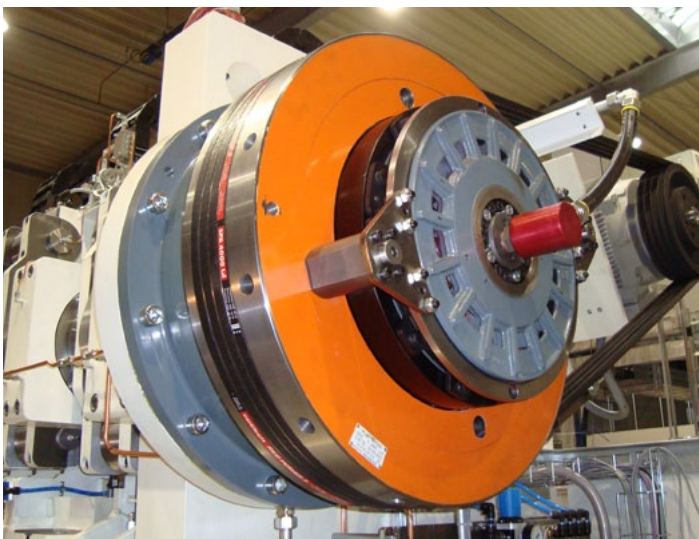
Tried and tested technology from  
GOIZPER

GOIZPER drives for presses are available in different variants as complete solutions, starting from 6000 Nm up to 200,000 Nm at present.

**Individuality despite versatility.**

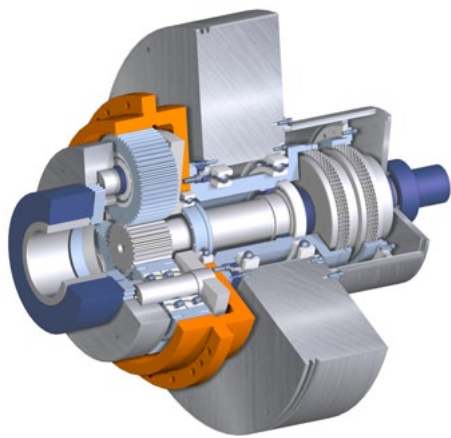
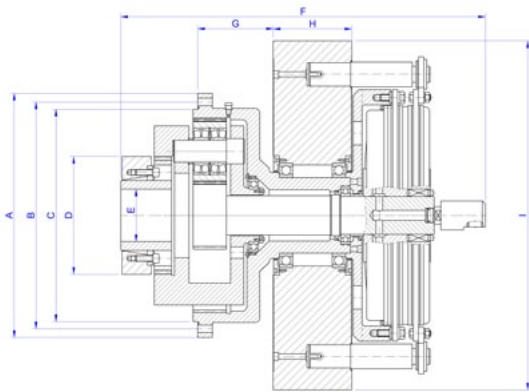
GOIZPER press drives are designed so that a wide range of customer-specific variants can be put together from the variety of sizes, and if necessary, adapted, in order to provide the individual and optimal solution for your application.

GOIZPER offers EDP-supported engineering and retrofit help with an extremely flexible approach for optimising our designs to your needs.



# Compact drives

(CPD = complete press drive)



Compact drive (CPD)	Torque [Nm]	Transmission ratio [i]	Max. drive torque [rpm]	Centring dia. [mm]	Max. shaft dia. [mm]	Clutch/brake combination			
						Clutch torque (stat.) [Nm]	Pressure [bar]	Brake torque (dyn.) [Nm]	KBK art. no.
CPD-6/4	6500	1:4	438	320	100	1645	5.5	860	57 13 912
CPD-6/6	6500	1:6	292	320	100	1235	5	1030	57 13
CPD-6/8	6500	1:8	281	320	100	805	5.5	385	57 50 912
CPD-10/4	10000	1:4	363	380	110	2760	5.5	1960	57 18
CPD-10/6	10000	1:6	292	380	110	1645	5.5	860	57 13 912
CPD-10/8	10000	1:8	219	380	110	1235	5	1030	57 13
CPD-15/4	15000	1:4	363	430	120	4080	5.5	1870	57 19N 913
CPD-15/6	15000	1:6	242	430	120	2760	5.5	1960	57 18
CPD-15/8	15000	1:8	219	430	120	1995	5.5	515	57 13 914
CPD-20/4	20000	1:4	325	470	125	5225	5.5	2985	57 25N 912
CPD-20/6	20000	1:6	217	470	125	4030	5	2820	57 25N
CPD-20/8	20000	1:8	181	470	125	2760	5.5	1960	57 18
CPD-25/4	25000	1:4	300	510	130	6410	5.5	3380	57 36 912
CPD-25/6	25000	1:6	221	510	130	4785	5.5	3410	57 25N
CPD-25/8	25000	1:8	181	510	130	3170	5.5	2495	57 19N
CPD-32/4	32000	1:4	300	545	140	7965	5.5	3585	57 37N 913
CPD-32/6	32000	1:6	200	545	140	5710	5.5	4060	57 36
CPD-32/8	32000	1:8	163	545	140	4785	5.5	3410	57 25N
CPD-40/4	40000	1:4	250	580	150	10500	5.5	7000	57 55 912
CPD-40/6	40000	1:6	200	580	150	6720	5.5	4780	57 37N
CPD-40/8	40000	1:8	150	580	150	5660	5	4780	57 37N
CPD-50/4	50000	1:4	225	615	160	13400	5.5	10000	57 75
CPD-50/6	50000	1:6	167	615	160	9500	5.5	8000	57 55
CPD-50/8	50000	1:8	150	615	160	6720	5.5	4780	57 37N
CPD-65/4	65000	1:4	225	650	170	16000	5.5	7500	57 75 913
CPD-65/6	65000	1:6	167	650	170	11600	5.5	6000	57 55 913
CPD-65/8	65000	1:8	125	650	170	7900	5	8000	57 55
CPD-80/4	80000	1:4	200	690	180	21400	5.5	13500	57 76 912
CPD-80/6	80000	1:6	150	690	180	13400	5.5	10000	57 75
CPD-80/8	80000	1:8	125	690	180	10500	5.5	7000	57 55 912
CPD-100/4	100000	1:4	200	730	190	25300	5.5	9900	57 76 913
CPD-100/6	100000	1:6	133	730	190	15900	5	15800	57 76
CPD-100/8	100000	1:8	113	730	190	13400	5.5	10000	57 75
CPD-125/4	125000	1:4	188	775	205	32900	5.5	17100	57 77 912
CPD-125/6	125000	1:6	133	775	205	21400	5.5	13500	57 76 912
CPD-125/8	125000	1:8	100	775	205	15900	5	15800	57 76
CPD-160/4	160000	1:4	188	820	220	40000	5.5	10250	57 77 914
CPD-160/6	160000	1:6	125	820	220	29300	5.5	20500	57 77
CPD-160/8	160000	1:8	100	820	220	21400	5.5	13500	57 76 912
CPD-200/4	200000	1:4	175	870	230	53400	5.5	13800	57 78 914
CPD-200/6	200000	1:6	125	870	230	36500	5.5	13700	57 77 913
CPD-200/8	200000	1:8	94	870	230	24700	5	20500	57 77

## Every solution is an individual solution

GOIZPER offers a highly flexible approach by optimising our designs to fulfil your needs. In addition to the sizes shown in the table, we have many other models available.

Our EDP-supported application engineering and retrofit support allows the optimal GOIZPER press drive for your specific solution to be found.

## Tried and tested technology from GOIZPER

GOIZPER compact drives are available as complete solutions in a variety of different versions, from 6000 Nm to 200,000 Nm.